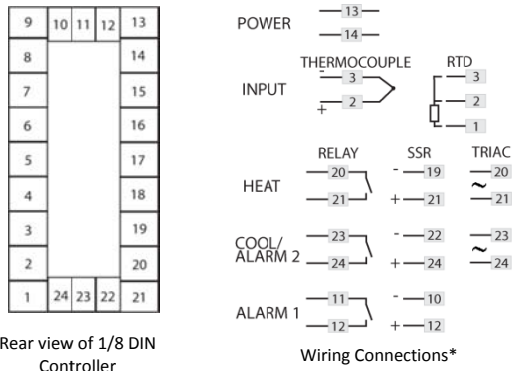


PLASTX8 1/8 DIN PLASTICS CONTROLLER

QUICK START GUIDE

This guide is intended to provide basic information on setting up the West PLASTX8 controller. Other configurations are possible. See full or concise manual for additional parameters and options.

1. WIRING



CAUTION: Check label on side of housing for correct operating voltage before connecting power supply to controller.

*Connections used will depend on actual hardware installed.

2. CONFIGURATION

From the main operator screen:

- Enter Select mode by holding **←** and pressing **△**
- Press **△** until upper display reads **Conf**
- Press **←**, **ULoc** is displayed
- Press **△** to change **ULoc** code to **44** then press **←**. **Func** is displayed
- Press **△** or **▽** to select required function then press **⏏** to save

HEAT	Heat Only
COOL	Heat/Cool
INDC	Indicator Only

- Press **←**, **InPt** is displayed. Use **△** or **▽** to select sensor type from table below then press **⏏** to save.
 - Press **←** until **PLA 1** is displayed. Use **△** or **▽** to adjust low alarm setpoint then press **⏏** to save
 - Press **←** until **bAL2** is displayed. Use **△** or **▽** to set band alarm setpoint then press **⏏** to save
 - Hold **←** and press **△** to return to Select mode
 - Press **▽** until **OPtr** is displayed, then press **←** to return to Operator Mode
- Other parameters in the configuration mode can be left at the default settings.

Code	Input Type	Code	Input Type
bC	TC B °C	rF	TC R °F
bF	TC B °F	sC	TC S °C
cC	TC C °C	sF	TC S °F
cF	TC C °F	tC	TC T °C
jC	TC J °C	tF	TC T °F
jF	TC J °F	P24C	PtRh 20%/40% °C
JC	TC J °C 0.1	P24F	PtRh 20%/40% °F
JF	TC J °F 0.1	PtC	RTD °C
KC	TC K °C	PtF	RTD °F
KF	TC K °F	PtC	RTD °C 0.1
KC	TC K °C 0.1	PtF	RTD °F 0.1
KF	TC K °F 0.1	0.20	0-20 mA DC
LC	TC L °C	4.20	4-20 mA DC
LF	TC L °F	0.50	0-50 mV DC
LC	TC L °C 0.1	10.50	10-50 mV DC
LF	TC L °F 0.1	0.5	0-5 V DC
NC	TC N °C	1.5	1-5 V DC
nF	TC N °F	0.10	0-10 V DC
rC	TC R °C	2.10	2-10 V DC

3. OPERATOR MODE

There are 3 modes of operation in the controller.

OFF – No temperature control in this mode. Temperature is still displayed
Auto – Normal temperature control mode
MAN – Manually adjust output power level

To change mode:

- Press **⏏**, lower display will read **Entr**
- Press **△** or **▽** to select required mode
- Press **←**

To adjust Setpoint in Auto Mode

- Press **←**, Lower display will read **SP**
- Press **△** or **▽** to set required value.
- Press **←** to return to normal display

4. AUTO TUNE

To perform an Auto-Tune, the machine needs to be at ambient temperature.

- Press **←** to go to setpoint display.
 - Adjust setpoint to normal operating temperature
 - Hold **←** and press **△** to enter Select Mode
 - Press **△** until upper display reads **Atun**
 - press **←**, **ULoc** is displayed
 - Press **△** to change **ULoc** code to **44** then press **←**. **Ptun** is displayed
 - Press **△** to change **Ptun** to **0n**.
 - Hold **←** and press **△** to return to Select Mode
 - Press **▽** until **OPtr** is displayed
 - Press **←** to return to Operator Mode
- AT light will flash while Pre-Tune is running. Once the Pre-Tune is complete, the AT light will go off.