

## Adding Pneumatic Preset Counter Type 497



### VARIABLE PILOT SIGNAL

### TECHNICAL DATA

- Continuously visible preset
- Integrated pneumatic reset
- 3 or 5-digit display
- Convenient button setting

Using two pneumatic preset counters it is possible to implement pilot signals with values ranging from 1 to 99.999. These counters are especially suitable as controlling elements for semi-automatic or fully automated processes. This applies both to varying preset/setting values and to values which remain the same for a long period.

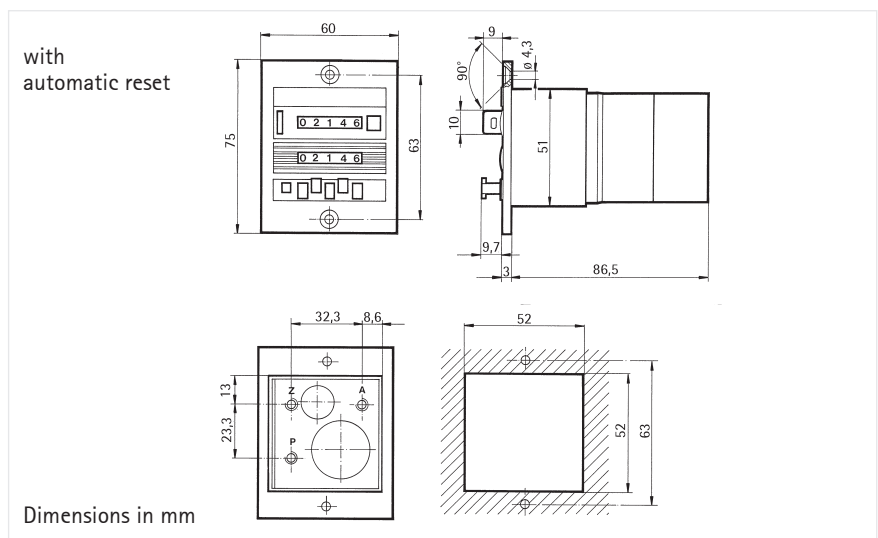
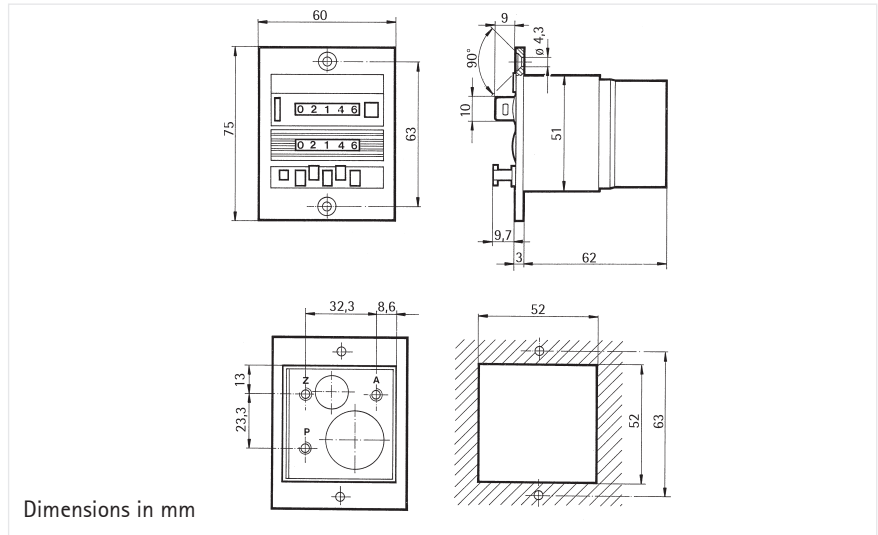
Display	3 or 5-digit indication of count and preset value, depending on version
Digit height	4 mm
Service pressure	2 ... 8 bar
Air quality	oilfree
Filter pore width	< 40 µm
Operating temperature	0 ... + 60 °C
Connection	hose coupler M5 or rapid-fit connection (depending on version)
Mounting	front panel
Mounting position	horizontal roller axis
Protection class (IEC 144)	IP 40 with hoses connected; for higher degree of protection we recommend clear covers
Count input	adding
Min. pulse length	8 ms
Max. counting frequency	20 Hz
Pulse duty factor	1:1
Reset	- manual with button - by external pneumatic signal, Min. pulse length 180 ms - automatic reset after preset has been reached (only in version with automatic reset)
Reset frequency	max. 1 per 2 s
Signal duration	from when preset has been reached until reset; at 3 bar, counter with automatic reset 300 ... 340 ms

Attention! Minimum time period between last count pulse and pneumatic reset is 50 ms.

# Type 497

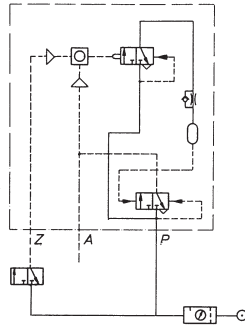
## Technical data

### DIMENSIONED DRAWINGS

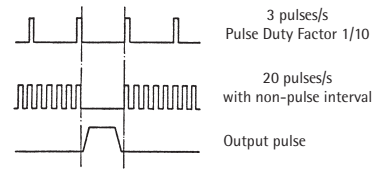


CONNECTION DIAGRAMS

Circuit diagram



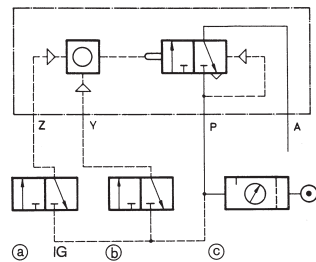
Pulse rate



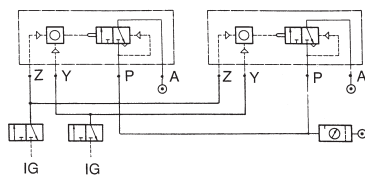
Connection diagram

- Z Pulse input "count"
- Y Pulse input "reset"
- P Air input
- A<sup>E</sup> Final output signal
- A<sup>V</sup> Output pilot signal

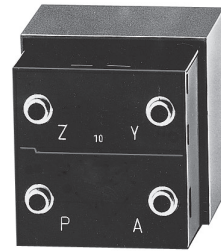
- IG Pulse generator
- a Count
- b Reset
- c Mains



Variable pilot signal  
Suggested connection



Connection: Rapid-fit connector



ORDER INFORMATION  
Counter

Connection	Button and pneum. reset		with automatic reset	
	3-digit	5-digit	3-digit	5-digit
Hose coupler M5	0 497 619	0 497 486	0 497 493	0 497 472
Rapid-fit connector	0 497 618	0 497 487	0 497 479	0 497 473

Standard accessories

## Type 497



### TECHNICAL DATA

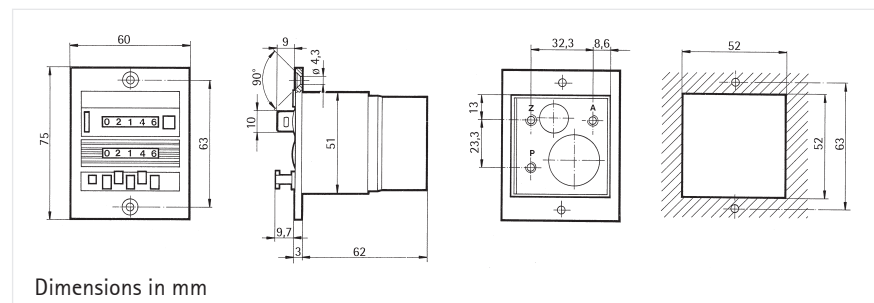
## Subtracting Pneumatic Preset Counter

- Integrated pneumatic reset
- 3 or 5-digit display
- Convenient button setting

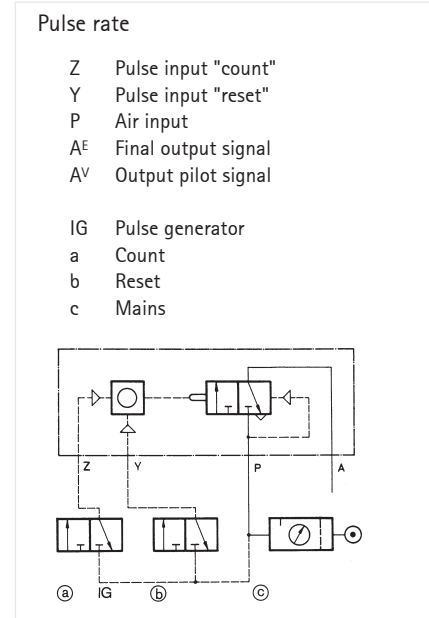
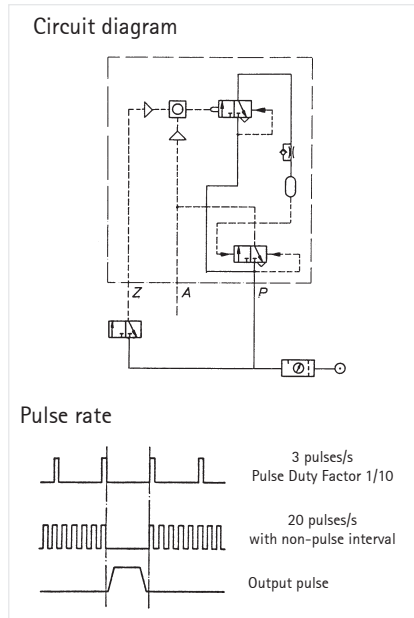
Display	3 or 5-digit count indication, depending on version
Digit height	4 mm
Service pressure	2 ... 8 bar
Air quality	oilfree
Filter pore width	< 40 µm
Operating temperature	0 ... +60 °C
Connection	hose coupler M5 or rapid-fit connection (depending on version)
Mounting	front panel
Mounting position	horizontal roller axis
Protection class (IEC 144)	IP 40 with hoses connected; for higher degree of protection we recommend clear covers
Count input	subtracting
Min. pulse length	8 ms
Max. counting frequency	20 Hz
Pulse duty factor	1:1
Reset	- manual with button - by external pneumatic signal, Min. pulse length 180 ms
Reset frequency	max. 1 per 2 s
Signal duration	from when preset has been reached until reset; at 6 bar, counter with automatic reset 300 ... 340 ms (depending on connected volume and service pressure)

Attention! Minimum time period between last count pulse and pneumatic reset is 50 ms.

### DIMENSIONED DRAWING



CONNECTION DIAGRAMS



Order information

Counter

Standard accessories

Connection	Button and pneum. reset	
	3-digit	5-digit
Hose coupler M5	0 497 530	0 497 550
Rapid-fit connector	0 497 532	0 497 552
Transparent cover (description see "Accessories")		
with knob		1 405 613
with lock		1 405 614
Fittings M5 for hose M 5 x 1		3 641 733

Pneumatics