

TECHNICAL DATASHEET

ATEX Pneumatic Preset Counters

Type 497 ATEX



Adding version

Subtracting version

- ATEX certified for Gas, Dust and Mining
- Preset values continuously visible
- Integrated pneumatic reset
- Optional automatic reset
- 3 or 5-digit display
- Convenient button setting
- Maintenance-free operation



EX-CLASSIFICATION

Gas: Ex II 2G Ex h IIB T4 Gb ($0^{\circ}\text{C} \leq \text{Ta} \leq 60^{\circ}\text{C}$)

Dust: Ex II 2D Ex h IIB T130°C Db ($0^{\circ}\text{C} \leq \text{Ta} \leq 60^{\circ}\text{C}$)

Mining: Ex I M2 Ex h I Mb ($0^{\circ}\text{C} \leq \text{Ta} \leq 60^{\circ}\text{C}$)

TECHNICAL DATA

Display	5-digit, digits 3 mm x 4 mm, white/black 3-digit, digits 3 mm x 4 mm, white/black
Digit height	4 mm
Counting range	1 to 99 999, 1 to 999
Operating pressure	2 ... 6 bar
Air quality	Filtered, dried and unlubricated air according to ISO 8573 -1: 2010 [7:4:4]; designed for use with compressed air. Operates with other media/pure gases upon request
Filter pore size	< 40 microns; use suitable filters when necessary
Ambient temperature	0 ... + 60°C
Maximum medium temperature	30°C (maximum compressed air temperature)
Connection	M5 hose screw connection
Fastening	Suitable for front panel fastening. Two M4 clearance holes
Protection (IEC 144)	IP40 with connected hoses. IP55 when using a transparent hinged cover (see Accessories)
Weight	Approx. 100 g, with automatic reset approx. 150 g
Counting	Adding or subtracting
Pneumatic signaling at Port "X"/"Y"	Square-wave signal (almost, no "slow" pressure rise/drop)
Maximum counting frequency	5 Hz (count input "X")

Specifications subject to change without notice.

Datasheet	© Hengstler GmbH Umlandstr. 49 D-78554 Aldingen/ Germany	Page
Version 1 190725en	+49 74 24 -89 0 Fax +49 74 24 - 89 500 E-mail: info@hengstler.com Internet: www.hengstler.com	1/4

TECHNICAL DATASHEET

ATEX Pneumatic Preset Counters

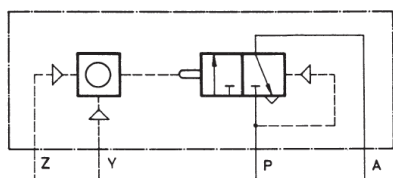
Type 497 ATEX

TECHNICAL DATA

Minimum counting pulse duration	8 ms (count input "X")
Reset	<ul style="list-style-type: none"> - Manual with button - By external pneumatic signal at input "Y" - Automatic reset after preset has been reached (only in version with automatic reset)
Maximum reset frequency	4 Hz (reset input "Y")
Minimum reset pulse duration at input "Y"	180 ms
Air delay time until counting restart	Minimum 50 ms (after pulse end of the reset signal at input "Y" and the restart of counting at input "X")
Signal output "A"	After reaching preset value, pressure air "ON" from "P" to "A"
Signal duration at outlet "A"	From reaching preset value until Reset Timers with automatic reset: 300 ... 340 ms

CONNECTION DIAGRAMS

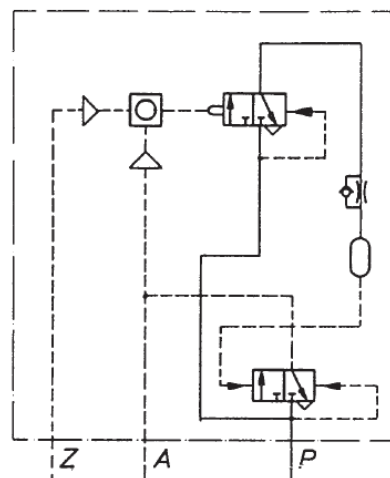
Preset counter without automatic reset



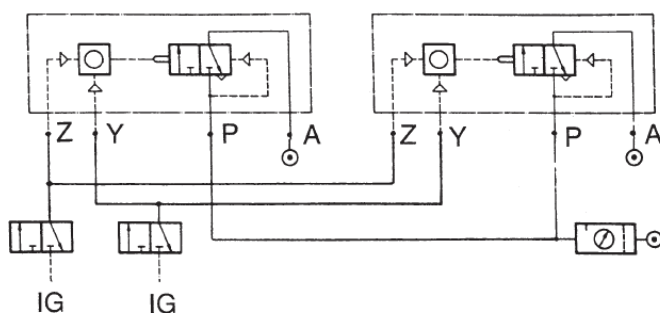
Z = Air input for Counting
P = Compressed air input

Y = Pneumatic reset input
A = Air output / End signal

Preset counter with automatic reset



Connection diagram for pre-signal by a second counter

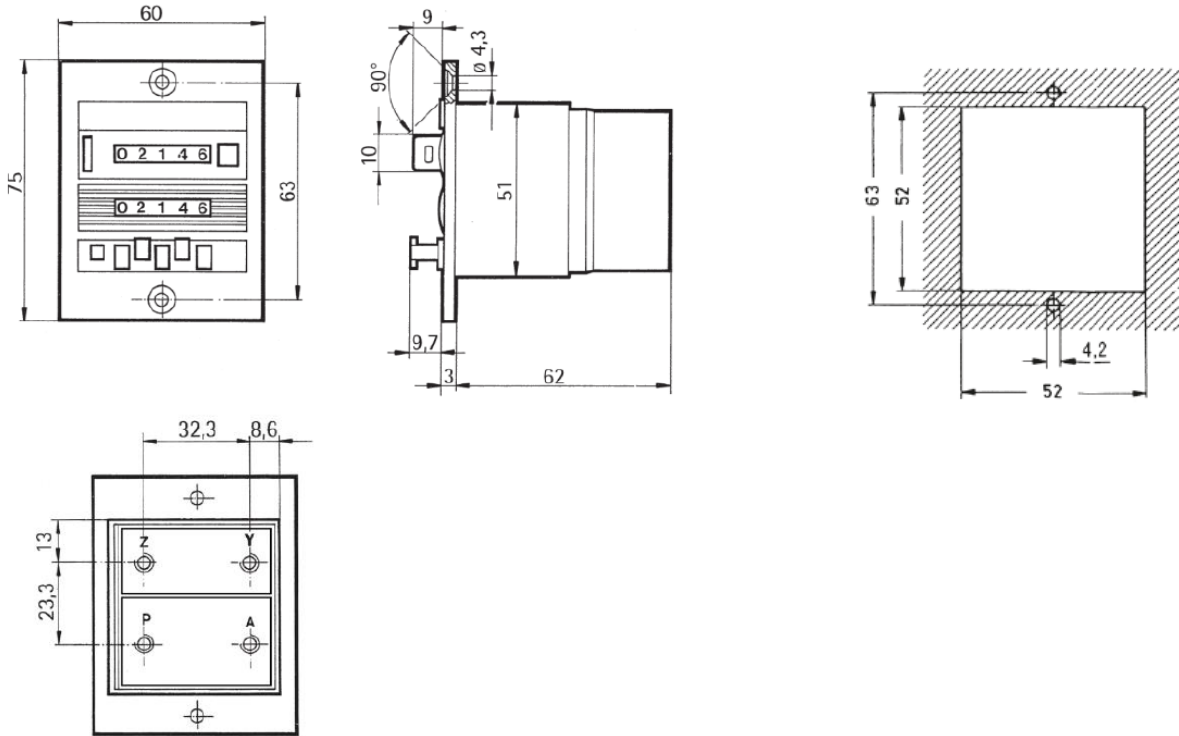


Specifications subject to change without notice.

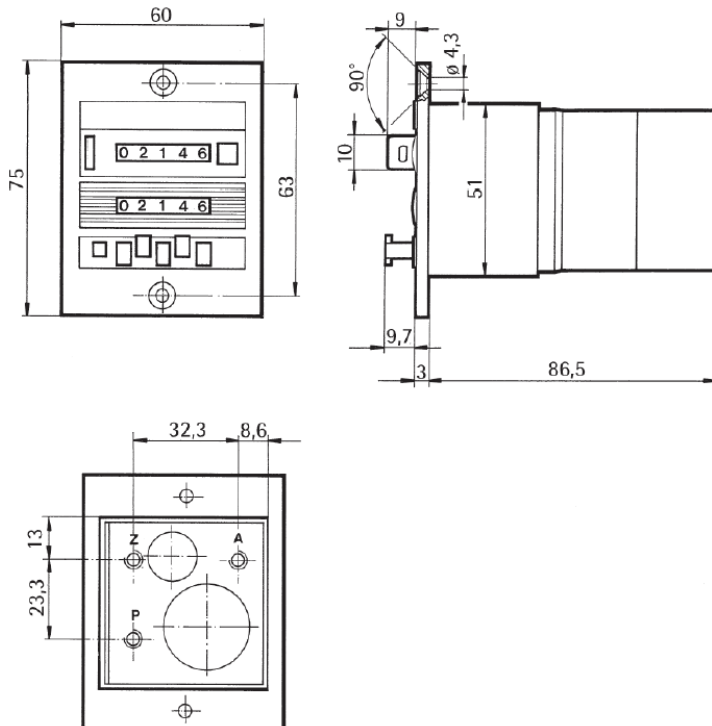
Datasheet	© Hengstler GmbH Umlandstr. 49 D-78554 Aldingen/ Germany ☎+49 74 24 -89 0 Fax +49 74 24 - 89 500 E-mail: info@hengstler.com Internet: www.hengstler.com	Page
Version 1 190725en		2/4

DIMENSIONAL DRAWINGS

Dimensional drawing of pneumatic preset counter without automatic reset (adding)



Dimensional drawing of pneumatic preset counter with automatic reset (adding)



Dimensions in mm

Specifications subject to change without notice.

Datasheet	© Hengstler GmbH Umlandstr. 49 D-78554 Aldingen/ Germany +49 74 24 -89 0 Fax +49 74 24 - 89 500	Page
Version 1 190725en	E-mail: info@hengstler.com Internet: www.hengstler.com	3/4

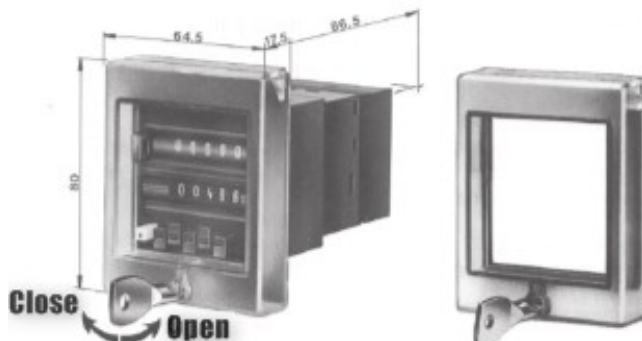
TECHNICAL DATASHEET

ATEX Pneumatic Preset Counters

Type 497 ATEX

ACCESSORIES

Optional use of a protection transparent cover



ORDERING INFORMATION Preset counters

Version	Button and pneumatic reset		Automatic reset	
	3-digit	5-digit	3-digit	5-digit
Adding	0 497 719	0 497 786	0 497 793	0 497 772
Subtracting	0 497 730	0 497 750	-	-

Accessories

Transparent cover	With knob	1 405 613
	With Key	1 405 614

Specifications subject to change without notice.