

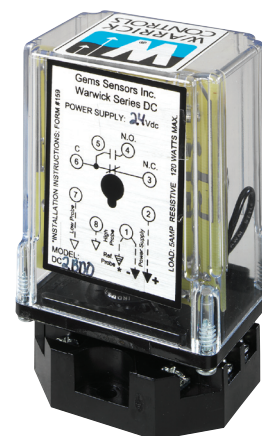
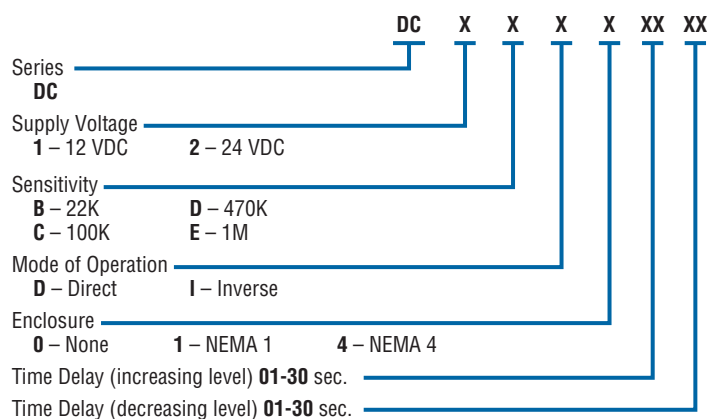
## Series DC For Remote Applications

Series DC controls are designed for applications where only direct current power is available. DC units can be used as differential level controls or single point alarm contactors. Because of solid state reliability, plug-in convenience, and choice of 12 or 24 VDC supply voltage, Warrick DC controls can be used with confidence in many applications.

<b>Contact Design</b>	SPDT 1 N.O. & 1 N.C. (1 form C), non-powered contacts
<b>Contact Rating</b>	5 amp @ 30 VDC or 120 VAC Resistive 1/8 hp
<b>Mode of Operation</b>	Direct/Inverse, factory set
<b>Sensitivity</b>	0 - 1M ohm maximum, factory set
<b>Primary Voltage</b>	12 VDC, 24 VDC, negative ground ( $\pm 20\%$ )
<b>Supply Current</b>	40 mA when relay energized, 10 mA w/relay de-energized
<b>Secondary Voltage</b>	12 VDC
<b>Terminal Style</b>	Screw connector
<b>Temperature</b>	-50°F to +150°F (-46°C to +65°C)
<b>Options</b>	Time Delay

### How to Order

Use the **Bold** characters from the chart below to construct a product code.

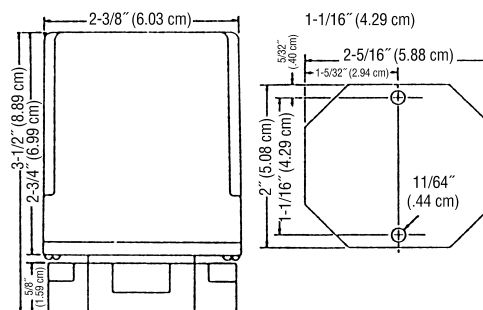


Series DC

### Applications

- Single and Differential Service
- Solar and Wind Powered Pumps
- Portable Cleaning Equipment
- Battery-Powered Level Control
- Well Pumps
- Remote Reservoirs
- Remote Irrigation
- Onboard Ship Level Control

### Dimensions



### Wiring

