

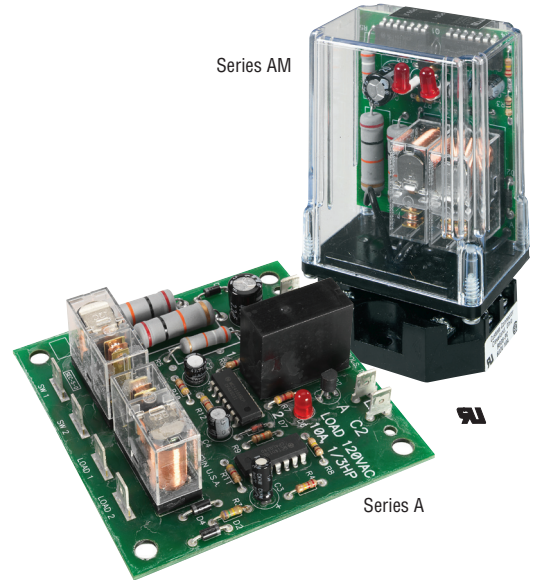
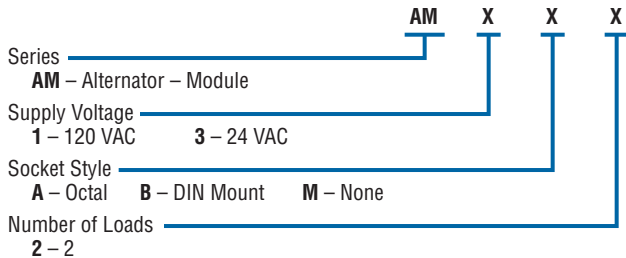
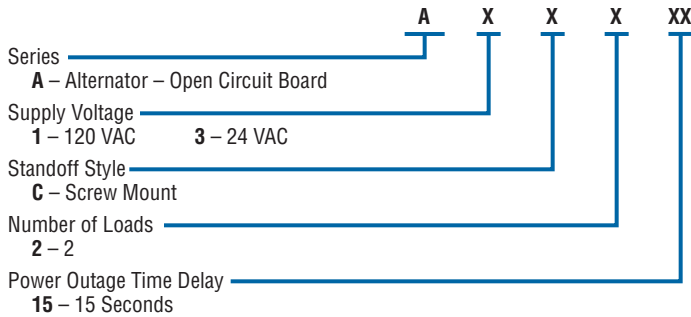
Series A & AM Solid State Alternators

Series A has an open circuit board design. Series AM provides convenient plug-in design, either octal socket or DIN mount. The housing carries no NEMA rating.

Contact Rating	10 amp @ 120 VAC or 24 VAC Resistive
Primary Voltage	120 VAC, 24 VAC (+10%/-15%) 50/60 Hz
Secondary Voltage	20 mA @ 120 VAC, 80 mA @ 24 VAC
Temperature	-40°F to +150°F (-40°C to +65°C)
Terminal Style	
Series A	1/4" spade
Series AM	Screw connector
Approvals	U.L. 508 Recognized Motor Control

How to Order

Use the **Bold** characters from the chart below to construct a product code.

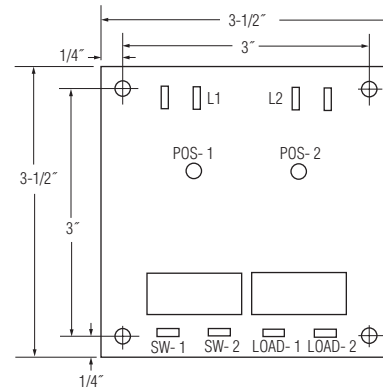


Applications

- Duplex Pumping
- Single or Dual Switch Operation
- Power Outage Time Delay Available on Open Version (Series A)

Dimensions

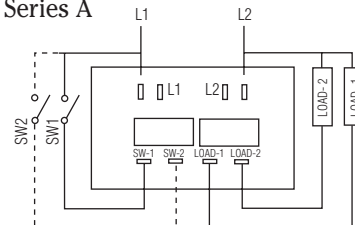
Series A



Series AM dimensions are the same as Series DC above.

Wiring

Series A



Note: For ease of wiring, L1 and L2 each have two tabs.

Series AM

