

# FS-4 Series – Low Cost, Molded Plastic Construction

**Flow Rate Settings:** 0.1 GPM to 1.5 GPM

**Port Size:** 9/16" -18 UNF

**Primary Construction Material:** Ryton®

**Setting Type:** Fixed

The FS-4 Series makes flow protection economical for a broad range of industrial applications such as welders, lubrication systems, medical sterilizers and laundry chemicals dispensing.

## Specifications

<b>Wetted Materials</b>	
Housing and Piston	Ryton® R4
Spring	316 Stainless Steel
O-Ring	Viton®
<b>Other Wetted Parts</b>	
	Epoxy
<b>Operating Pressure, Maximum</b>	250 PSIG (17.2 bar) @ 70°F (21°C)
<b>Operating Temperature</b>	0°F to 225°F (-17°C to +107°C)
<b>Set Point Accuracy</b>	±15% Maximum
<b>Set Point Differential</b>	20% Maximum
<b>Switch*</b>	SPST or SPDT, 20 VA (SPDT: 240 VAC Max.)
<b>Inlet/Outlet Ports</b>	9/16" -18 UNF-2B Thread
<b>Recommended Filtration</b>	50 Microns or Better
<b>Electrical Termination</b>	
SPST	18 AWG, Zipcord, 24" Long
SPDT	18 AWG, PVC 24" Long Leads

\* See "Electrical Data" on Page X-5 for more information.

## How To Order – Standard Models

Housing and Piston Material	Flow Setting GPM	Part Numbers		
		SPST Switch		With SPDT Switch
		N.O., No Flow	N.C., No Flow	
Ryton®	0.1	122340	122346	122352
	0.25	122341	122347	122353
	0.5	122342	122348	122354
	0.75	122343	122349	122355
	1.0	122344	122350	122356
	1.5	122345	122351	122357

Note:  
Flow settings are calibrated using water @ +70°F on increasing flow, with units in a vertical position (lead wires up).

## Port Adapters for FS-4

Converts 9/16" threaded ports to NPT or barbed connection. Made of Ryton®-R4 or polypropylene with O-Rings in place.

**CAUTION:** Do not exceed 15 in./lbs. maximum torque when installing adapter fittings.

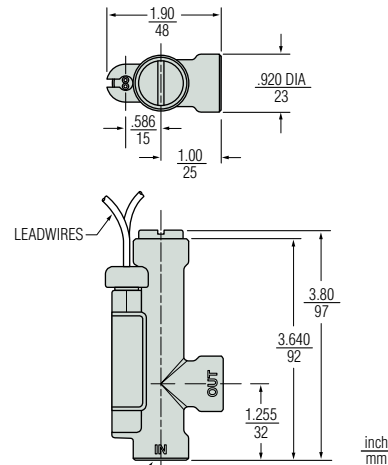
Material	Adapter Size	Part Numbers
Ryton®	1/8" NPT*	123028
	1/4" NPT*	123029
Polypropylene	1/4" NPT*	158602
	1/2" Barb**	158603

\*Wrench flats provide for proper assembly.  
\*\* Accepts 1/2" I.D. flexible hose  
– Stock Items.



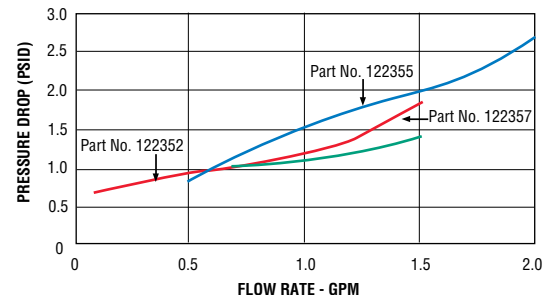
U.L. Recognized —  
File No. E31926  
CSA Listed —  
File No. LR30200

## Dimensions



9/16" -18 UNF-2B THREAD  
WITH O RING SEAL PORT

## Pressure Drop – Typical



Tests conducted with units in vertical position (lead wires up) with water at +70 F (21 C).

