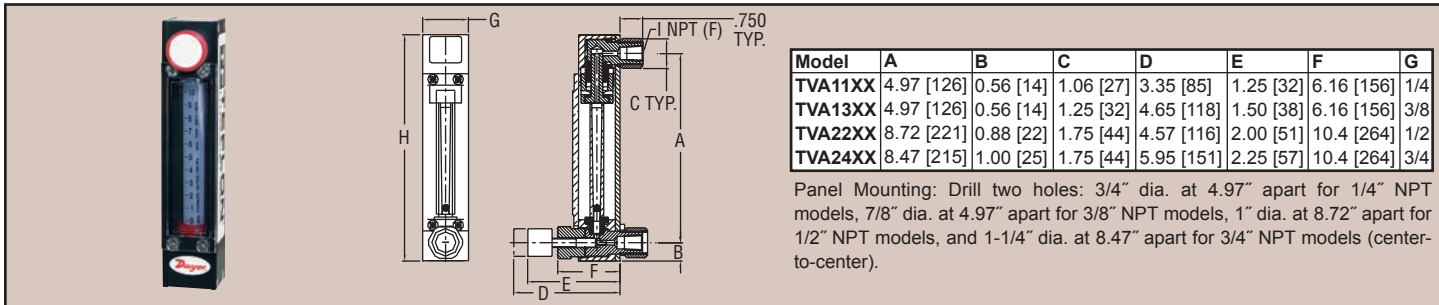




Series
TVA

All Fluoropolymer Flowmeters

75 mm and 125 mm, 10:1 Turndown, $\pm 5\%$ FS Accuracy



| Model | A | B | C | D | E | F | G |
|---------|------------|-----------|-----------|------------|-----------|------------|-----|
| TVA11XX | 4.97 [126] | 0.56 [14] | 1.06 [27] | 3.35 [85] | 1.25 [32] | 6.16 [156] | 1/4 |
| TVA13XX | 4.97 [126] | 0.56 [14] | 1.25 [32] | 4.65 [118] | 1.50 [38] | 6.16 [156] | 3/8 |
| TVA22XX | 8.72 [221] | 0.88 [22] | 1.75 [44] | 4.57 [116] | 2.00 [51] | 10.4 [264] | 1/2 |
| TVA24XX | 8.47 [215] | 1.00 [25] | 1.75 [44] | 5.95 [151] | 2.25 [57] | 10.4 [264] | 3/4 |

Panel Mounting: Drill two holes: 3/4" dia. at 4.97" apart for 1/4" NPT models, 7/8" dia. at 4.97" apart for 3/8" NPT models, 1" dia. at 8.72" apart for 1/2" NPT models, and 1-1/4" dia. at 8.47" apart for 3/4" NPT models (center-to-center).

Series TVA All Fluoropolymer Flowmeters offer solutions for measuring flow rates of highly corrosive or ultra-pure liquids. Flowmeters are designed with 0 to 10 scale graduations denoting a discrete flow rate.

| Model | | Low Range | | |
|----------|----------|------------|-----------------|--|
| Valve | No Valve | Length | Connections | Flow Rate (H ₂ O) gph (ml/min) |
| TVA1113 | TVA1103 | 75 mm | 1/4" female NPT | 6.34 (400) |
| TVA1115 | TVA1105 | 75 mm | 1/4" female NPT | 15.9 (1000) |
| TVA1317 | TVA1307 | 75 mm | 3/8" female NPT | 39.6 (2500) |
| TVA1319 | TVA1309 | 75 mm | 3/8" female NPT | 79.2 (5000) |
| Model | | High Range | | |
| Valve | No Valve | Length | Connections | Flow Rate (H ₂ O) GPM (LPM) |
| TVA22110 | TVA22010 | 125 mm | 1/2" female NPT | 3.43 (13) |
| TVA24112 | TVA24012 | 125 mm | 3/4" female NPT | 7.93 (30) |
| TVA24114 | TVA24014 | 125 mm | 3/4" female NPT | 11.9 (45) |

SPECIFICATIONS

Service: Compatible liquids.

Wetted Materials:

Flowtube: PFA;

Float and end fittings: PTFE;

Guide rods: PCTFE.

Temperature Limit: 250°F (121°C).

Pressure Limit: 100 psig (6.9 bar).

Accuracy: $\pm 5\%$ FS @ 70°F (21.1°C) and 14.7 psia (1 atm absolute).

Repeatability: $\pm 0.25\%$.

Leak Integrity: 1×10^{-7} sccs of helium.

Scales: 0 to 10 markings, 75 mm or 125 mm lengths.

Turn-down Ratio: 10:1.

Mounting: Vertical.

OPTION

For NIST traceable calibration certificate, use order code NISTCAL-FL1.