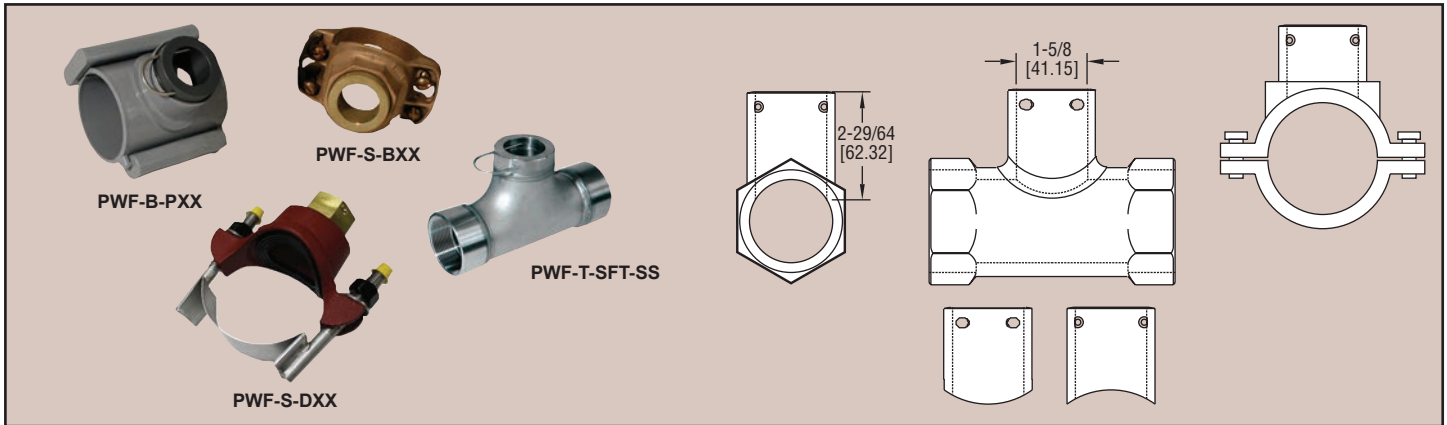




Series  
PWF

# Fittings and Tees

Saddles, Tees, and Weld/Braze Fittings for Series PDWS



The Series PWF Fittings and Tees are used with the Series PDWS Insertion Paddlewheel Flow Sensors. The Series PWF allow for sensor insertion in a wide range of pipe sizes. Multiple end connections are available to allow for easy installation in many applications. Series PWF is available in bronze, 304 stainless steel, 316 stainless steel, and PVC, further expanding application prospects.

### SPECIFICATIONS

- Service:** Compatible liquids.
- Wetted Materials:** See model chart.
- Temperature Limits:** See model chart.
- Pressure Limits:** See model chart.
- Connections:** 1/2 to 8".
- Weight:** Consult factory.

FLOW

Flow Transmitters, Paddlewheel,  
Fixed Insertion

Model	Tee Fitting Description
PWF-T-BFS	Bronze/Female Sweat (For Copper Tubing)
PWF-T-BFT	Bronze/Female Thread
PWF-T-PME	PVC/Male Stub End
PWF-T-CFT	Carbon Steel/Female Thread
PWF-T-SFT	304 SS/Female Thread
-SS	All 316 SS Option
-HP	High Pressure Option (SS or CS Only)
Model	Saddle Fitting Description
PWF-S-DXX	Ductile Iron
PWF-S-PXX	PVC
PWF-S-BXX	Bronze
-LPS	Installed on 16" Long Pipe Stub Option (PVC Only)
Model	Weld/Braze Fitting Description
PWF-W-BXX	Bronze
PWF-W-CXX	Carbon Steel
PWF-W-SXX	316 Stainless Steel
-HP	High Pressure Option (SS or CS Only)

Example: PWF-T-CFT-0050-SS

To order an all 316 SS female thread 1/2" tee for Series PDWS-1XX Paddlewheel Flow Meter.