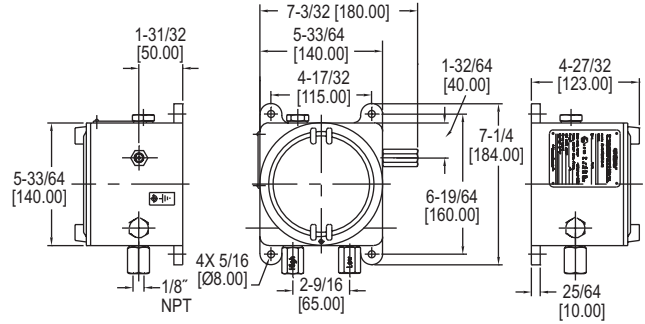


ATEX/IECEX APPROVED ADPS ADJUSTABLE DIFFERENTIAL PRESSURE SWITCH

The ADPS in Flame-Proof ATEX/IECEX Enclosure



The **Series AT1ADPS ATEX/IECEX Approved ADPS Adjustable Differential Pressure Switch** is designed for pressure, vacuum, and differential pressure applications in hazardous areas. The dual scaled adjustment knob in inches water column and Pascals allows changes to the switching pressure to be made without a pressure gage. The switch is available with settings from 0.08 in w.c. (20 Pa) up to 16 in w.c. (4000 Pa). The silicone diaphragm makes this series ideal for use with air and other noncombustible gases. Flame-proof enclosures are available in aluminum and can include a glass window for viewing set point status on the adjustment knob.

FEATURES/BENEFITS

- Flame-proof enclosure with optional glass window and aluminum housing protects the device in hazardous areas while giving local visibility to set point status

APPLICATIONS

- Hazardous area pressure switch
- Air filter and ventilator monitoring
- Ventilation duct monitoring
- Industrial cooling circuits
- Fan heater overheating protection
- Fire-protection damper control
- Heat exchanger frost protection

SPECIFICATIONS

Service: Air and non-combustible, compatible gases.
Wetted Materials: Diaphragm material: Silicone; Housing material: Switch body: PA 6.6 and POM; Cover: Polystyrene; Brass or SS depending on pressure connections chosen.
Temperature Limits: Process and ambient temperature from -4 to 185°F (-20 to 85°C) (**Note:** Product temperature limits differ from case).
Pressure Limits: 40 in w.c. (10 kPa).
Switch Type: SPDT.
Electrical Rating: Standard: Max. 1.5 A @ 250 VAC, max. switching rate: 6 cycles/min.
Set Point Adjustment: Hand knob on pressure switch inside case. (De-energize before opening case).
Mounting Orientation: Vertically, with pressure connections pointing downwards.
Mechanical Working Life: Over 10⁶ switching operations.
Enclosure Rating: IP66. IP65 with option OPV, overpressure relief valve.
Housing Material: Aluminum.
Finishing: Texture epoxy coat RAL7038.
Process Connections: 1/8" NPT female brass (SS optional). In presence of acetylene it is necessary to use SS.
Electrical Connections: Two 1/2" NPT female. Cable gland not included.
Weight: 7 lb (3.2 kg).
ATEX Certificate: BVI 14ATEX0072.
Agency Approvals: ATEX Compliant 1370 II 2G Ex d IIC T6 Gb / II 2D Ex tb IIC T85°C Db, -60°C ≤ Tamb ≤ +60°C IECEx Compliant: Ex d IIC T6 Gb / Ex tb IIC T85°C Db.

MODEL CHART										
Example	AT1ADPS	-08	-2	-N	-A	O	1	X	T2	AT1ADPS-08-2-N-AO1XT2
Series	AT1ADPS									ATEX/IECEX approved ADPS adjustable differential pressure switch
Range		08								.08 to 1.2 in w.c. (20 to 300 Pa)
		04								.12 to 1.6 in w.c. (30 to 400 Pa)
		03								.2 to 2 in w.c. (50 to 500 Pa)
		05								.8 to 4 in w.c. (200 to 1000 Pa)
		06								2 to 10 in w.c. (500 to 2500 Pa)
		07								4 to 20 in w.c. (1000 to 5000 Pa)
	Connection		2							
Switch				N						1.5 A @ 250 VAC
Housing Material					A					Aluminum
Cover						B				Blind
						O				Glass top cover
Process Connection							1			1/8" NPT female brass ports
							2			1/8" NPT female SS ports
Overpressure Plug								X		Standard without overpressure relief valve
								OPV		Overpressure relief valve
										Material same as ports
Tag									T2	SS information label