



SERIES DM-1000 | DIGIMAG® DIGITAL DIFFERENTIAL PRESSURE AND FLOW GAGE

FEATURES/BENEFITS

- Field programmed reduces installation time
- User selectable parameters for pressure, air velocity, or flow permits same device for multiple applications
- Specialized filter set point for alerts when maintenance is due
- Security levels permit matches the correct access to right skill
- Power versatility works with 9 to 24 VDC or 9 V battery allows deployment in variety of spaces wired or not

APPLICATIONS

- Filter monitoring
- Air velocity or flow
- Blower vacuum monitoring
- Fan pressure indication
- Duct, room, or building pressures
- Clean room positive pressure indication



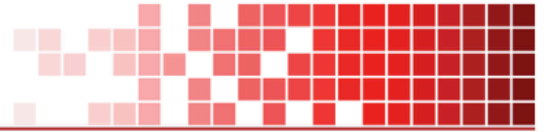
DESCRIPTION

The Series DM-1000 DigiMag® Digital Differential Pressure and Flow Gage monitors the pressure of air and compatible gases just as its famous analog predecessor the Magnehelic® differential pressure gage. All models are factory calibrated to specific ranges. The 4-digit LCD can display readings in common English and metric units so conversions are not necessary. The simplified four button operation reduces set up time and simplifies calibration with its digital push button zero and span.

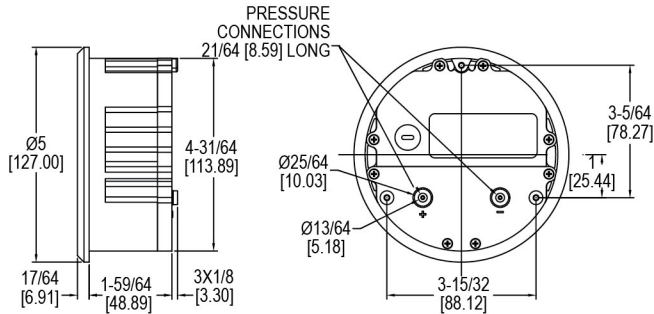
SPECIFICATIONS

Service	Air and non-combustible, compatible gases.
Wetted Materials	Consult factory.
Housing Materials	Glass filled plastic.
Accuracy	±1% FS including linearity, hysteresis and repeatability; ±2% FS for ranges 1 in w.c. and below.
Temperature Limits	0 to 140 °F (-18 to 60 °C).
Comp. Temperature Limits	32 to 122 °F (0 to 50 °C).
Long Term Stability	±1% FS per year.
Thermal Effect	±0.05% FS/°F typ.; ±0.10% FS/°F typ. for ranges 1 in w.c. and below.
Display	4-digit LCD (Digits: 0.60"H x 0.33"W).
Display Update	Selectable for 1 second, 10 minutes or update only from button push.
Pressure Limits	Normal and bi-directional ranges 5 in w.c. and lower = 2 psi (13.7 kPa); Normal and bi-directional ranges 10 in w.c. and higher = 11 psi (75 kPa).
Selectable Engineering Units	in w.c., psi, kPa, Pa, mm w.c., mBar, in Hg, mm Hg, FS (0-100% FS).
Power Requirements	9 V battery, included, user replaceable or external power supply 9-24 VDC.
Battery Service Life	Battery life depending on the Display Update setting: 150 hours (typical) if Display Update = 1 second; 9 months (typical) if Display Update = 10 minutes; 1.5 years (typical) if Display Update is disabled. Battery may last up to four times longer when using lithium-based battery ULTRALIFE U9VL-J.
Current Consumption	5 mA maximum.
Electrical Connections	Removable terminal block for 16 to 26 AWG.
Electrical Entry	Cable gland for 0.114 to 0.250" (2.9 to 6.4 mm) diameter cable.
Process Connections	1/8" (3 mm) ID tubing.
Enclosure Rating	NEMA 4X (IP66).
Weight	1.18 lb (535 g).
Size	5" (127 mm) OD front face.
Agency Approvals	CE.

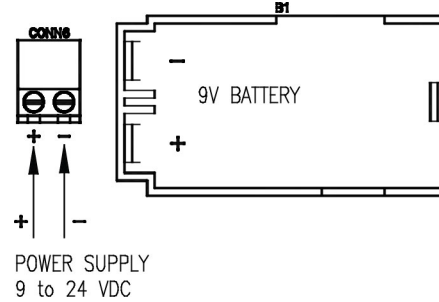




DIMENSIONS

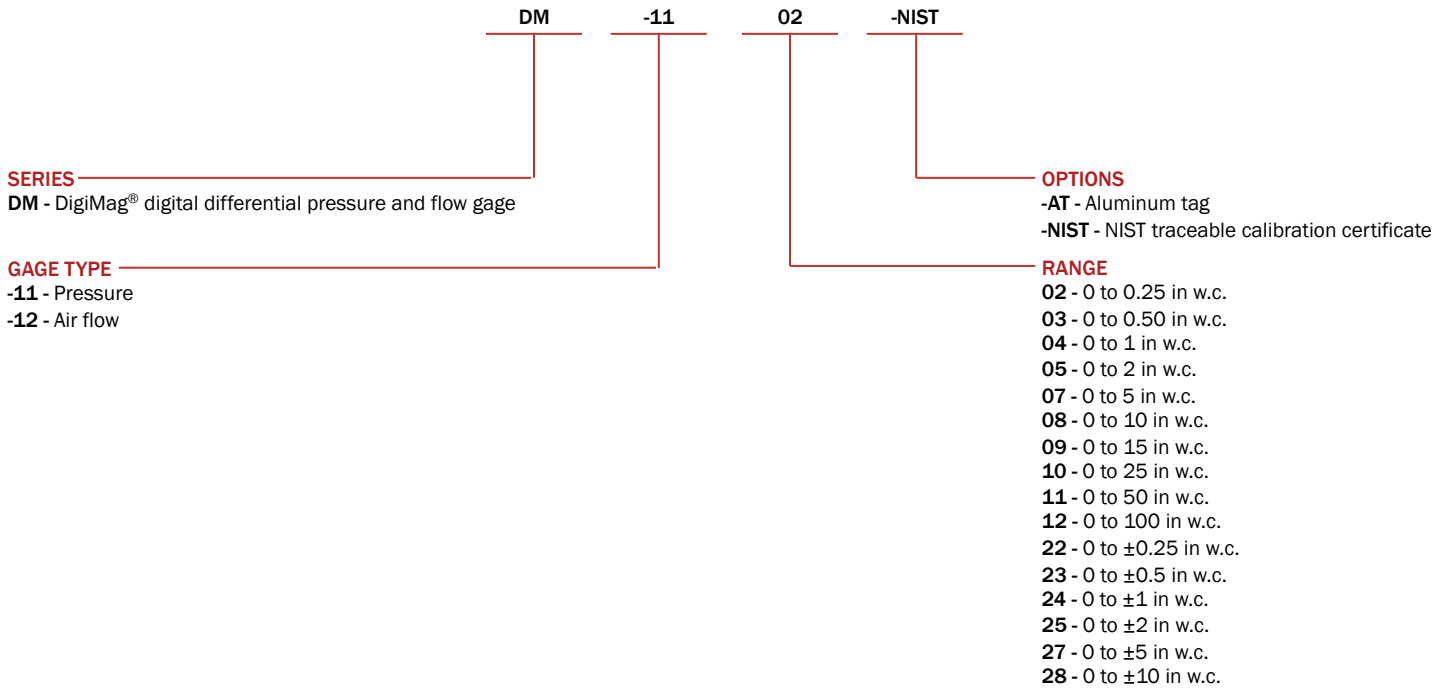


WIRING DIAGRAM



HOW TO ORDER

Use the **bold** characters from the chart below to construct a product code.



ACCESSORIES

Model	Description
A-310A	3-way vent valve, plastic, 1/8" NPT to 1/4" metal tubing, 80 psi rating, replaces former Model A-310 (brass). 2.3" x .8" x .1", 0.10 lb
A-481	Installer kit, (includes 2 static pressure tips and PVC tubing)
A-286	4-1/2" gage panel mounting flange
A-489	4" 303 SS straight static pressure tip with flange

Important Notice: Dwyer Instruments, Inc. reserves the right to make changes to or discontinue any product or service identified in this publication without notice. Dwyer advises its customers to obtain the latest version of the relevant information to verify, before placing any orders, that the information being relied upon is current.

