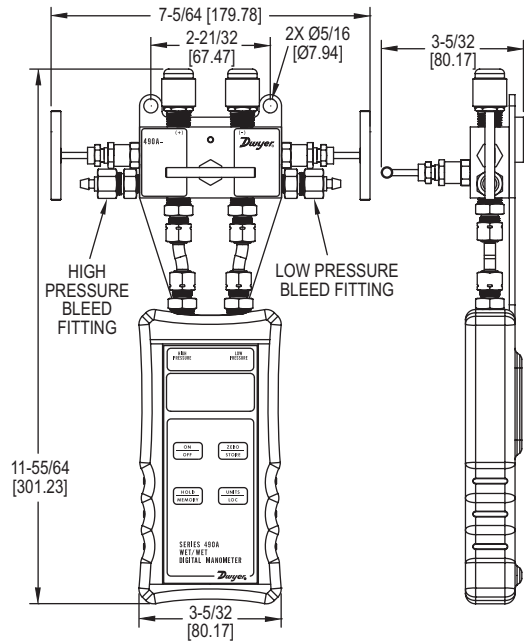


HYDRONIC DIFFERENTIAL PRESSURE METER KIT

Liquid and Gas Pressure Measurement, $\pm 0.5\%$ FS Accuracy



The Series 490A-HKIT Hydronic Differential Pressure Meter Kit features the 490A Hydronic Differential Pressure Manometer and all the necessary attachments and accessories to meet all your balancing, measuring, and pressure needs. The manometer featured in this kit is a versatile, handheld, battery operated manometer available in several ranges for positive or positive differential pressure measurement and can tolerate most liquid media compatible with 316LSS.

FEATURES/BENEFITS

- Digital dampening for low pressure stability
- Automatic resolution adjustment for finer control
- Hard carrying case protects products
- Stores up to 40 readings for later recall
- Backlight for use in dim areas
- Magnetic back mount for ease of use
- Rubber boot for easy handling and all day comfort

APPLICATIONS

- Chiller to coils for freeze protection
- Hydronic valve balancing
- Measure pressure drop across pumps
- Refrigerant pressure testing

STANDARD KIT INCLUDES:

- Two (2) 6ft high pressure rated tubing with shut off valves
- One (1) high pressure 3-way valve
- Two (2) controlled bleed valves
- One (1) 8 ft Poly tubing for purges
- One (1) hard traveling lockable case with non-absorbent foam
- One (1) handheld carrying strap
- Two (2) 1/16" x 1-1/2" pressure gage adapters
- Two (2) 1/8" x 3" pressure gage adapters
- Two (2) 1/8" x 1-1/2" pressure gage adapters
- Two (2) Male 90° Flare to 1/4" NPT fittings
- Two (2) Male Flare to 1/4" NPT coupler fittings
- One (1) adjustable 8" wrench
- PTFE Thread Tape
- One (1) magnetic protective rubber boot
- NIST Calibration Certificate Standard



A-47X-BOOT
(Manometer not included)

SPECIFICATIONS

Service: Compatible gases and liquids.
Wetted Materials: 316LSS, PTFE, Brass, Copper.
Accuracy: $\pm 0.5\%$ FS, 60 to 78°F (15.6 to 25.6°C); $\pm 1.5\%$ FS from 32 to 60°F and 78 to 104°F (0 to 15.6°C and 25.6 to 40°C).
Pressure Hysteresis: $\pm 0.1\%$ FS.
Pressure Limits: See chart.
Electronic Temperature Limits: 32 to 140°F (0 to 60°C).
Process Temperature Limits: -20 to 180°F.
Storage Temperature Limits: -4 to 176°F (-20 to 80°C).
Display: 0.42" (10.6 mm) 4 digit LCD.
Resolution: See chart.
Power Requirements: 9 V alkaline battery, installed non-functional, user replaceable.
Weight: 3.6 lb.
Process Connections: Two male 45 Flare 1/4".
Agency Approvals: CE.

MODEL CHART

Model	Range (psi)	Available Pressure Units & Resolution**								Maximum Pressure
		bar	psi	in Hg	kPa	in w.c.	mm Hg	mbar	ft w.c.	
490A-1-HKIT	0 to 15	1.034	15.00	30.54	103.4	415.2	775.7	1034	34.60	30 psig
490A-2-HKIT	0 to 30	2.069	30.00	61.08	206.9	830.4	1551	2069	69.20	60 psig
490A-3-HKIT	0 to 50	3.447	50.00	101.8	344.7	1384	2585	3447	115.3	100 psig
490A-4-HKIT	0 to 100	6.895	100.0	203.6	689.5	2768	5171	6895	230.7	200 psig
490A-5-HKIT	0 to 500	34.47	500.0	1018	3447	9999*	9999*	9999*	1153	1000 psig
490A-6-HKIT	0 to 200	13.79	200.0	407.2	1379	5536	9999*	9999*	461.3	400 psig

*Digits will display smaller units until all 4 digits are exceeded.

**Readings less than 10% of range will provide one additional decimal place than shown for higher resolution.

ACCESSORIES

Model	Description
A-47X-BOOT	Rubber boot for manometers (manometer no included)
A-HKIT-AFIT	Adapter fitting kit for the 490A-HKIT, includes pairs of SAE 1/4" adapters and elbow fittings
A-HKIT-BFIT	Adapter fitting kit for the 490A-HKIT, includes pair of bleed fitting assemblies
A-HKIT-HOSES	One pair red & blue 60" SAE replacement hoses for the 490A-HKIT, each with integral ball valve
A-HKIT-500	Piercing gage adapter for the 490A-HKIT, 1/8" dia x 1-1/2" length (2 per kit)
A-HKIT-500XL	Piercing gage adapter for the 490A-HKIT, 1/8" dia x 3" length (2 per kit)
A-HKIT-510	Piercing gage adapter for the 490A-HKIT, 1/16" dia x 1-1/2" length (2 per kit)
NIST Calibration	Please contact your regional Dwyer distributor or Dwyer International Sales Office for scheduling your NIST recertification

USA: California Proposition 65

⚠ WARNING: Cancer and Reproductive Harm - www.P65Warnings.ca.gov