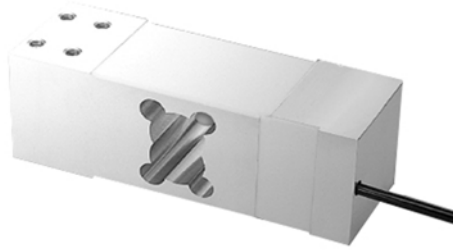


Low-Profile Off Center Single Point



FEATURES

- Capacities: 5 to 1000kg
- Cost-effective load cell for scales of simple construction
- Anodized aluminum alloy
- NTEP Class III 5000S approval from 5kg to 500kg
- OIML C3 approval from 5kg to 500kg
- OIML C6 approval from 500kg to 1000kg
- Platform size: 16" x 24"/40cm x 60cm

OPTIONAL FEATURE

- FM approval available

DESCRIPTION

LOC is a single-point low profile load cell designed for platform scales and hanging scales. It is a cost-effective load cell for scales of simple construction.

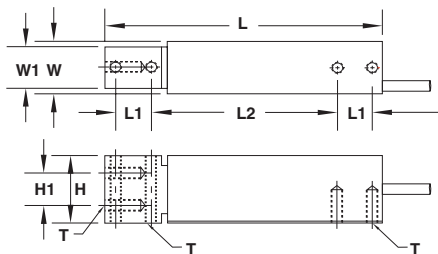
LOC is constructed of anodized aluminum, and is environmentally sealed up to IP66

levels providing excellent protection against moisture and humidity.

APPLICATIONS

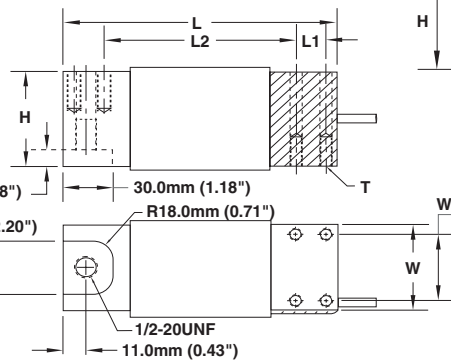
- Platform scales (single load cell)
- Packaging machines
- Dosing/filling
- Belt scales/conveyor scales
- In-motion check weigher

OUTLINE DIMENSIONS



SE

5 - 150kg
Cable Length: 3.3'/1m
Platform Size:
16"x16"/ 40cmx40cm

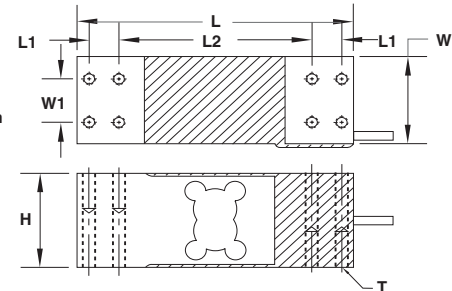


Wiring diagram

- + Excitation Red + Signal Green
- Excitation Black - Signal White

ME

50 - 800kg
Cable Length: 6.7'/2m
Platform Size:
16" x 24"/ 40cm x 60cm



LE

100 - 1000kg
Cable Length: 10'/3m
Platform Size:
16" x 24"/ 40cm x 60cm

	CAPACITY (kg)		L	L1	L2	W	W1	H	H1	T
SE	5/7/10/15/20/30/50/60/75/100/150	mm	150.0	19.0	100.0	30.0	24.0	39.5	19.0	M6x1.0 1/4-20UNF
		(inch)	5.91	0.75	3.94	1.18	0.94	1.56	0.75	
ME	50/100/150/250/300/500/635/800 45A/100A/150A/250A/300A/500A/635A	mm	174.0	19.0	122.0	60.0	30.0	65.0	-	M8 x 1.25 5/16-18UNC
		(inch)	6.85	0.75	4.80	2.36	1.18	2.56	-	
LE	100/250/100A/150A/250A/300A/500A/ 635A/800A/1000A	mm	191.0	25.0	125.0	76.2	60.0	75.0	-	5/16-18UNC
		(inch)	7.52	0.98	4.92	3.00	2.36	2.95	-	

*A: American Standard Thread

SPECIFICATIONS

PARAMETER	VALUE				UNIT
	NTEP III	Non-Approved	C3	C6	
NTEP/OIML Accuracy class					
Maximum no. of intervals (n)	5000 single*	1000	3000**	6000***	
$Y = E_{max}/V_{min}$	8000	1400	10000	12000	Maximum available
Standard capacities (E_{max})	5, 7, 10, 15, 20, 30, 50, 60, 75, 100, 150, 250, 300, 500, 635, 800, 1000				kg
Rated output-R.O.	2.0				mV/V
Rated output tolerance	10				±% of rated output
Zero balance	1				±% of rated output
Non linearity	0.020	0.025	0.020	0.015	±% of rated output
Hysteresis	0.020	0.025	0.020	0.015	±% of rated output
Non-repeatability	0.020				±% of rated output
Creep error (20 minutes)	0.025	0.030	0.020	0.015	±% of rated output
Zero return (20 minutes)	0.025	0.030	0.020	0.015	±% of rated output
Temperature effect on min. dead load output	0.0022	0.0026	0.0014	0.0012	±% of rated output/°C
Temperature effect on sensitivity	0.0010	0.0015	0.008	0.008	±% of applied load/°C
Compensated temperature range	-10 to +40				°C
Operating temperature range	-20 to +60				°C
Safe overload	150				% of R.C.
Ultimate overload	200				% of R.C.
Excitation, recommended	10				Vdc or Vac rms
Excitation, maximum	15				Vdc or Vac rms
Input impedance	410±10				Ohms
Output impedance	350±3				Ohms
Insulation resistance	>5000				Mega-Ohms
Construction	Anodized aluminum				
Environmental protection	IP66				

- * Capacities 5 - 500kg
- ** Capacities 5 - 500kg
- *** Capacities 500 - 1000kg

All specifications listed subject to change without notice.

FM Approval

Intrinsically Safe: Class I, II, III; Div. 1 Groups A-G
 Non-Incendive: Class I; Div. 2 Groups A-D