



CTT50

Temperature Transmitter

Datasheet

CTT50 is a head mount temperature transmitter with a single input. The single input accepts thermocouples, RTD, resistance or voltage source. All inputs are linearized and converted into an industrial standard 4 to 20mA output for transmission to the receiver system.



FEATURES

- *Highlights*
 - Input: Thermocouples, RTD, Resistance or Voltage
 - Output: 4 -20mA
 - Configurable via PC
 - Built-in Cold Junction
 - Temperature Probe Screw-in Type

TECHNICAL DATA

■ Specifications

Accuracy	≤0.1%FS
Power Supply	12 – 40VDC
Signal Input	RTD, TC, Resistance, Mv
Signal Output	4-20mA, 1-5V (Customized)
Response time	≤1s
Working Temperature	-40 ~ 85°C
Cold Junction Compensation	Built-in
Configuration	PC

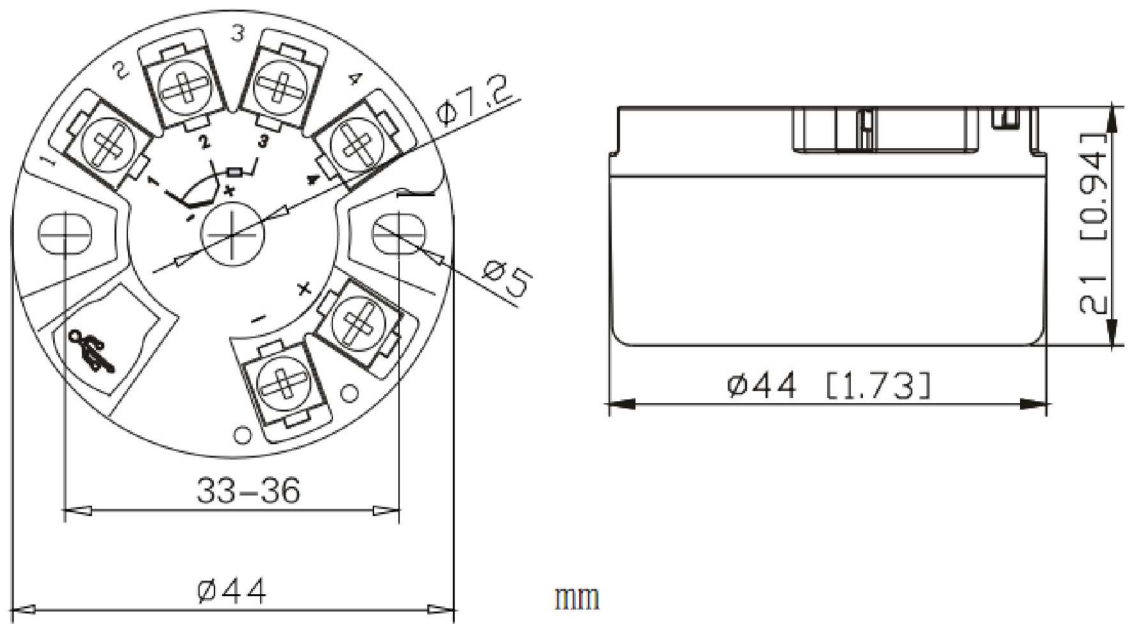
■ RTD

Type	Measuring Range °C	Connection Type
PT100	-200~850	Three-wire
Cu50	-50~150	Three-wire

■ Thermocouples

Type	Measuring Range °C	Connection Type
B	400 ~ 1820	Two-Wire
E	-100 ~ 1000	Two-Wire
J	-100 ~ 1200	Two-Wire
K	-180 ~ 1372	Two-Wire
N	-180 ~ 1300	Two-Wire
R	-50 ~ 1760	Two-Wire
S	-500 ~ 1760	Two-Wire
T	-200 ~ 400	Two-Wire

DIMENSION



WIRING

- Note: When mounting on a sensor head, do not overtighten the screws. Take necessary measure to avoid corrosion or damage of the cables and wires

