



READ THIS FIRST

Installation and Startup Guide

MPP Modular Pressure Transmitter

Version 2.1 Document 1184



Anderson-Negele
Anderson Instrument Co., Inc.
156 Auriesville Rd., Fultonville, NY 12072
Phone: 518-922-5315
Fax: 518-922-8997

www.anderson-negele.com

PRODUCT DESCRIPTION

The model MPP modular pressure transmitter has been specifically designed for placement in sanitary process applications in the Life Sciences industry where accurate and repeatable pressure measurements in difficult (vibration, wide temperature swings, humidity) environments are required. The modular design allows for field configuration to best suit application needs and allows economical component replacement. State of the art performance yields class leading accuracy and stability while minimizing process and ambient temperature effects. A menu driven interface with an internal diagnostic display provides user adjustability of pressure range and a host of other control characteristics without tools or pressure standards.

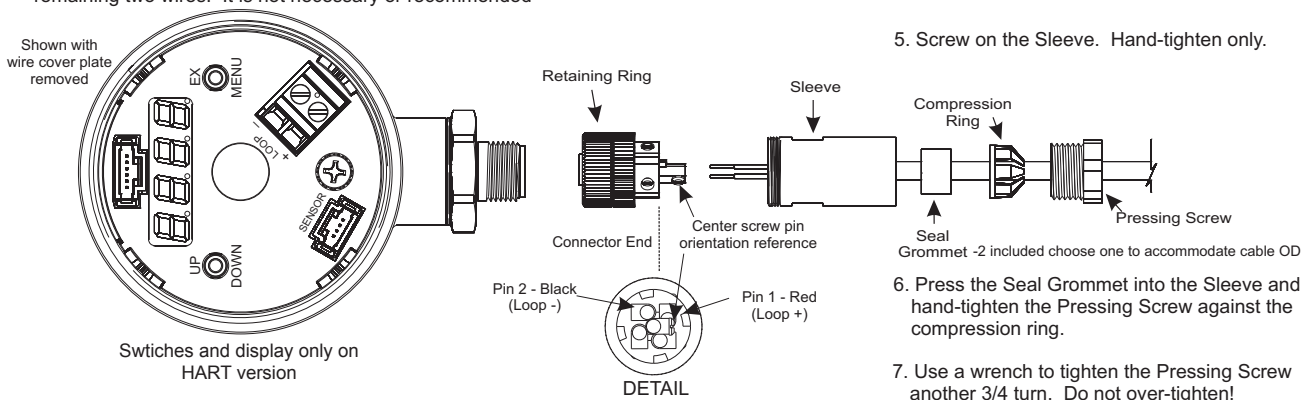
SENSOR WIRING

To facilitate electrical connections the MPP transmitter will be provided with either a 5 pin M12 quick disconnect receptacle, a M16 thread cable gland, or a 1/2" NPTF threaded adaptor. Shielded cable is recommended. See manual for additional detail.

Field wireable connectors or molded cordsets are available as accessories from Anderson Instrument.

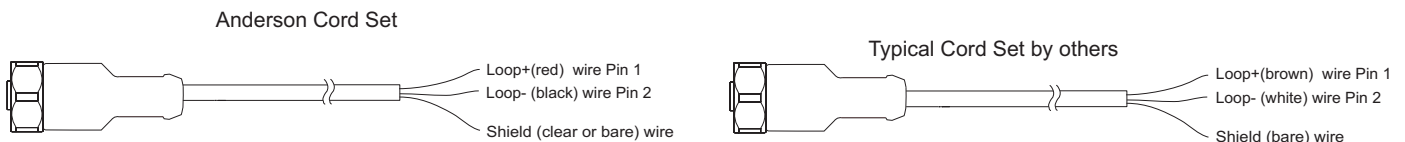
FIELD WIREABLE CONNECTOR ASSEMBLY - ORDERED AS ACCESSORY

1. Insert cable through Pressing Screw, Compression Ring, Seal Grommet, and Sleeve as shown below.
2. Strip back 1-1/4" of outer sheathing, cut off any excess wires, shield and ground. Strip off 1/4" insulation from remaining two wires. It is not necessary or recommended
3. Orient Connector end so that center pin connecting screw is horizontal facing right (see detail).
4. Wire LOOP+ (red) wire to top-right terminal, and LOOP- (black) wire to top-left terminal. No connection is made to the center and bottom terminals.
5. Screw on the Sleeve. Hand-tighten only.



6. Press the Seal Grommet into the Sleeve and hand-tighten the Pressing Screw against the compression ring.
7. Use a wrench to tighten the Pressing Screw another 3/4 turn. Do not over-tighten!

MOLDED CORD SETS

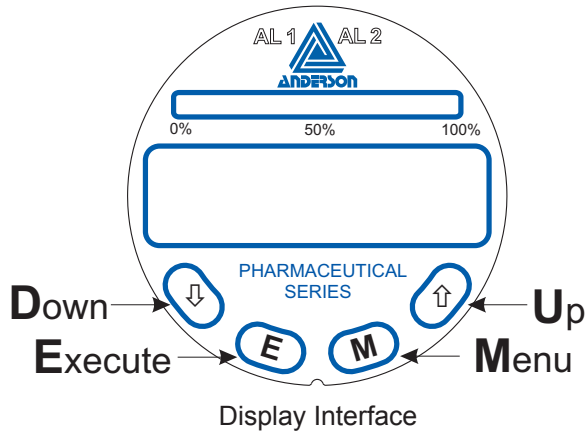


Note: Green and White not used

USER INTERFACE GUIDE

The Anderson MPP Modular Pressure Transmitter is factory calibrated to the URL (upper range limit) and configured to the range and units specified by the order matrix number. Range, pressure units, output damping and analog scale (HART only) may be easily modified by the user. The Display Interface (DI) provides user feed back for menu functions, displays diagnostic error codes and nominally loop current or process variable.

The Modular Pressure Transmitter configuration parameters are sorted into three modes, and are accessible via the button along the bottom of the display interface. While the cover is removed, do not allow moisture to enter the housing.



RUN Mode

Zero
Adjust Display Decimal
Momentarily Display mA Output (HART only)
Descriptive Error Message

SENSOR CONFIG Mode

PSIG/BAR (native units)
4-20mA / 20-4mA (HART only)
LRV
URV
Damping
Alarm1
Alarm2
Display Units
Unit Description Scroll
Factory Restore

CALIBRATION Mode

2 Point Cal
4 Point Cal

SENSOR CONFIGURATION

Each instruction assumes starting from RUN mode which is default at power on and process value is displayed.

CALIBRATION – Zero

NOTE – For ABSOLUTE stems zero calibration is disabled as zeroing is not possible in atmospheric conditions.

Zeroing the sensor provides the best accuracy when clamped into the application therefore negates possible positioning and clamping errors. Be sure sensor is exposed to zero psig when performing this function.

1. Press both “D” and “M” simultaneously for approximately 5 seconds – Sensor displays 4.00 milliamp (HART version), or 0.00 (FFB version) for gauge, for compound sensor displays appropriate output for set range

Native Units: PSI or Bar

1. Press “M” – Sensor displays “CONF”
2. Press “E” – Sensor displays “PSI” or “BAR”
3. Press “U” or “D” – Sensor toggles between “PSI” or “BAR”
4. Press “M” to proceed to the next operation

Note: When changing units configuring range is now required

Output: 4Ma – 20Ma or 20mA – 4mA (HART only)

1. Press “M” – Sensor displays “CONf”
2. Press “E” – Sensor displays “PSI” or “BAR”
3. Press “M” – Sensor displays “4-20” or “20-4”
4. Press “U” or “D” – Sensor toggles between “4-20” or “20-4”
5. If no other operation is to be accessed exit to “RUN” mode via pressing “M” repeatedly until process value is displayed

PRESSURE RANGE**LRV: Lower range value**

Sensors equipped with “Compound” style measurement cells (stem) may configure the LRV. “Absolute” stems are predefined as 0 and are not reconfigurable

1. Press “M” – Sensor displays “CONf”
2. Press “E” – Sensor displays “PSI” or “BAR”
3. Press “M” – Sensor displays “4-20” or “20-4” (HART only)
4. Press “M” – Sensor displays “LRV”
5. Press “E” – Sensor displays present LRV value – Example: “0”
6. Press “U” or “D” to set desired LRV value– Sensor display increases or decreases accordingly

Note: continue to URV

URV: Upper range value

Note: starting from LRV above

7. Press “M” – Sensor displays “URV”
8. Press “E” – Sensor displays present URV value – Example: “50”
9. Press “U” or “D” to set desired URV value – Sensor display increases or decreases accordingly
10. Press “E” to store displayed value – Sensor displays “URV”
11. If no other operation is to be accessed exit to “RUN” mode via pressing “M” repeatedly until process value is displayed

Output Damping

1. Press “M” – Sensor displays “CONf”
2. Press “E” – Sensor displays “PSI” or “BAR”
3. Press “M” – Sensor displays “4-20” or “20-4” (HART only)
4. Press “M” – Sensor displays “LRV”
5. Press “M” – Sensor displays “URV”
6. Press “M” – Sensor displays “dMPg”
7. Press “E” – Sensor displays current damping value from 0 - 10
8. Press “U” or “D” to display desired damping value– Sensor display increases or decreases accordingly
9. Press “E” to store displayed value – Sensor displays “dMPg”
10. If no other operation is to be accessed exit to “RUN” mode via pressing “M” repeatedly until process value is displayed

Setting Display Process Variable - Functionality in display interface only.

For additional display interface functionalities see section 7.2 of the manual.

The following Engineering units may be selected:

Millibar, Torr & Kg/cm², PSI, BAR, kPA, In H₂O, In Hg, mm H₂O, mA

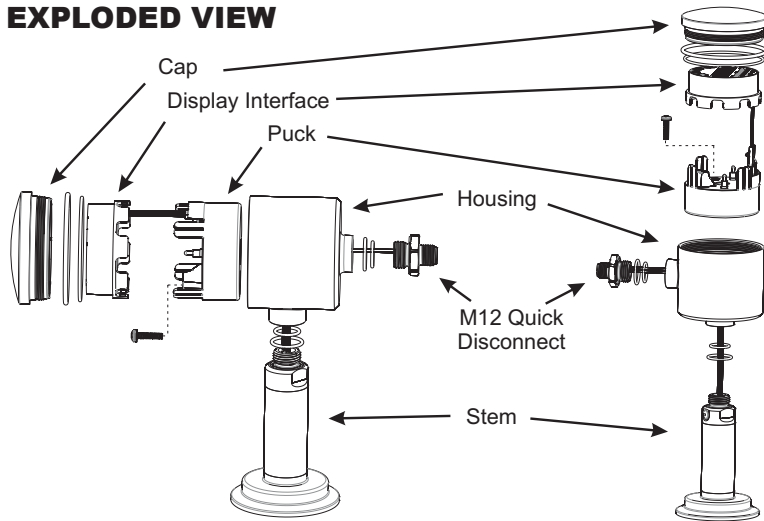
1. Press “M” – Sensor displays “CONF”
2. Press “E” – Sensor displays “PSIG” or “BARG”
3. Press “M” – Sensor displays “4-20” or “20-4”(HART only)
4. Press “M” – Sensor displays “LRV”
5. Press “M” – Sensor displays “URV”
6. Press “M” – Sensor displays “DAMP”
7. Press “M” – Sensor displays “ALRM1”
8. Press “M” – Sensor displays “ALRM2”
9. Press “M” – Sensor displays currently set engineering unit
10. Press “U” or “D” repeatedly to select the desired engineering unit
11. Press “M” to proceed to next operation or repeatedly to exit to “run” mode

Factory configuration reset

Perform if a return to the original factory configuration is desired

1. Press “M” – Sensor displays “CONf”
2. Press “E” – Sensor displays “PSI” or “BAR”
3. Press “M” – Sensor displays “4-20” or “20-4” (HART only)
4. Press “M” – Sensor displays “LRV”
5. Press “M” – Sensor displays “URV”
6. Press “M” – Sensor displays “dMPg”
7. Press “M” – Sensor display “FrES”
8. Press “E” – Sensor display “nO”
9. Press “U” or “D” to display “YES”
10. Press “E” – Sensor display “FrES”
11. exit to “RUN” mode via pressing “M” repeatedly until process value is displayed

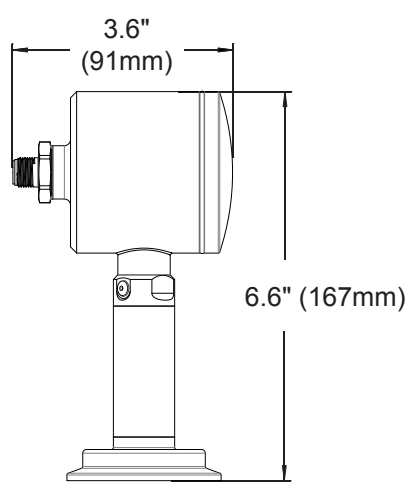
EXPLODED VIEW



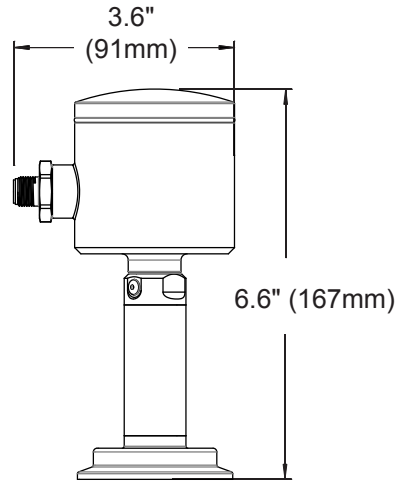
ACCESSORIES

Cord Sets	
Shielded Molded w/25' cable	42117K0025
Shielded Molded w/50' cable	42117K0050
Shielded Molded w/100' cable	42117K0100
Clear Cap w/gaskets	56328P0001
Stainless Steel Cap w/gaskets	56329P0001
Enclosure w/Clear cap w/gaskets	SP56327A0066
Enclosure w/SS cap w/gaskets	SP56327A0066
M12 Quick Disconnect Receptacle	SP56726A0002
Cord Grip	SP5633100000
1/2" NPTF adaptor	SP5633200000
Seal Kit (6) gaskets	5633000001
Field Wireable Connector-Straight	42119B0000
Field Wireable Connector-90°	42119A0000
Display Kit - HART option	SP56741P0066
Display Kit - FFB option	SP56741F0066
5' Remote Kit	SP73228A0005
10' Remote Kit	SP73228A0010
15' Remote Kit	SP73228A0015
20' Remote Kit	SP73228A0020
25' Remote Kit	SP73228A0025

DIMENSIONAL DRAWINGS



Horizontal Orientation



Vertical Orientation

